

ARCOS S-701

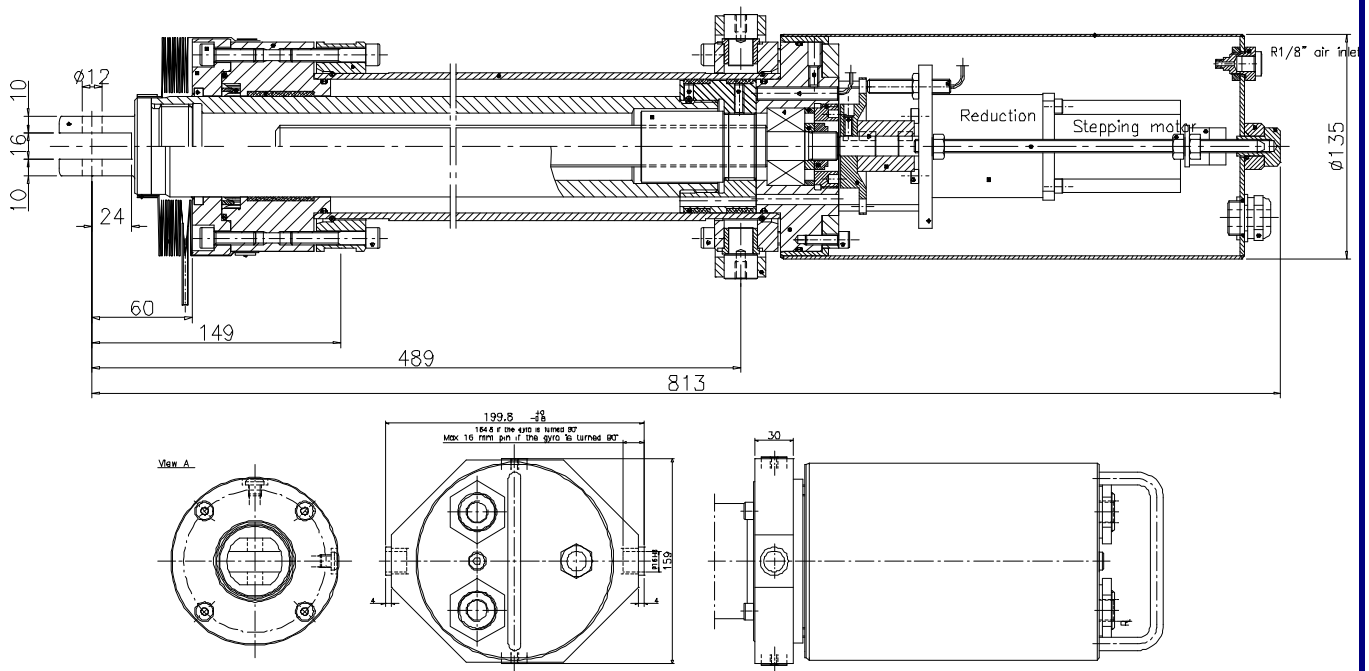
ELECTROMECHANICAL SHOWER OSCILLATOR

S-701 Electromechanical Shower Pipe Oscillator

Low frequency state-of-the-art electromechanical oscillator, mechanically compatible with Arcos's hydraulic oscillator.

Motion is controlled and monitored by an intelligent and very compact electronic system. Can be controlled by PLC or manual panel. Inputs for start/stop and speed. Feedback outputs for speed, OK/fault, run and home position. Run output can be used for controlling water valve. Stroke easily set in mm:s or inches. All functions can be monitored on the LED panel.

Supplied either with separate control modules or built in cabinets with power supply and control panel.



DATA:

- The oscillator is made of Stainless Steel 316L (SS2343).
- Adjustable stroke length (0 ÷ 306 mm).
- Adjustable speed (0,05 ÷ 5,0 mm/s), 4 ÷ 20 mA input.
- Changes direction without delay.
- Low voltage (24V) means safety.
- Thrust 5000N