

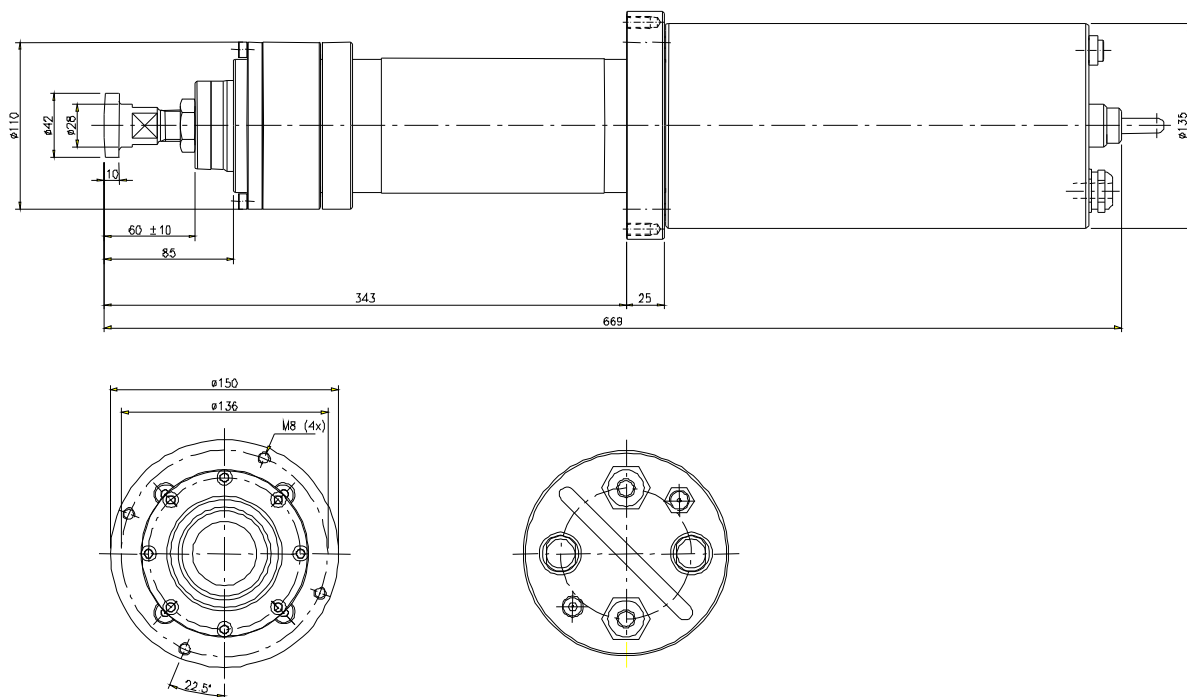
ARCOS S-750

ELECTROMECHANICAL SHOWER OSCILLATOR

S-750 Electromechanical Shower Pipe Oscillator

Low frequency state-of-the-art electro-mechanical oscillator for high temperature applications

Motion is controlled and monitored by an intelligent and very compact electronic system. Can be controlled by PLC or manual panel. Inputs for start/stop and speed. Feedback outputs for speed, OK/fault, run and home position. Run output can be used for controlling water valve. Stroke easily set in mm:s or inches. All functions can be monitored on the LED panel. Supplied either with separate control modules or built in cabinets with power supply and control panel.



DATA:

- The oscillator is made of Stainless Steel 316L (SS2343)
- Max. operating temp. 120 °C (with cooling air)
- Adjustment of stroke length (0...150 mm).
- Adjustment of speed (0,05...5,0 mm/s), 4...20 mA input.
- Changes direction without delay.
- Low voltage (24V) means safety.
- Thrust 5000N