

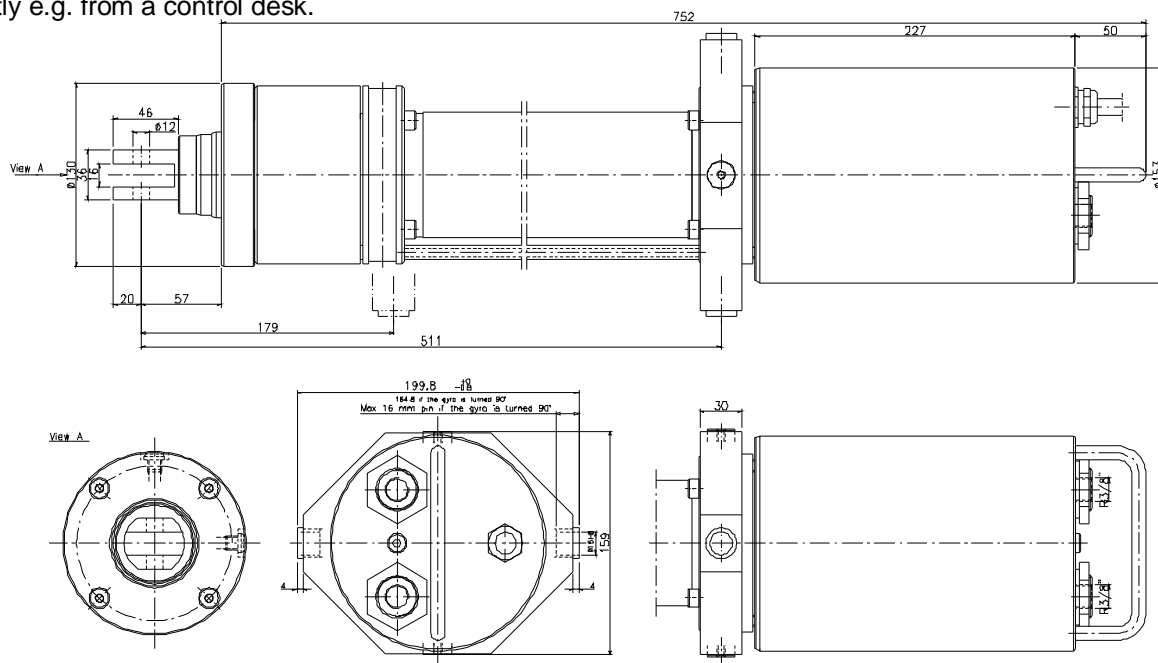
ARCOS S-601

HYDRAULIC SHOWER OSCILLATOR

S-601 Hydraulic Shower Pipe Oscillator

Long life span, reliable, no motor that wears down, low maintenance, constant speed in both directions and change of direction without delay are some of the characteristics for Arcos S-601

The oscillator consists of two sections: the mechanical oscillation cylinder, complete with valve package and electric control unit, which is to be placed in an electric cabinet. The electric control unit can be connected to a process computer, or it can be controlled directly e.g. from a control desk.



DATA:

- The oscillator is made of Stainless Steel 316L (SS2343)
- Stepless adjustment of stroke length (10...306 mm).
- Stepless adjustment of speed (0,1...5,0 mm/s).
- Changes direction without delay.
- S-601 is available in two variants: manual speed adjustment with a fluid valve, or remote controlled with a proportional valve.
- Low oil consumption.
- Control system and oscillator have all signals needed for safe use