

ARCOS S-571

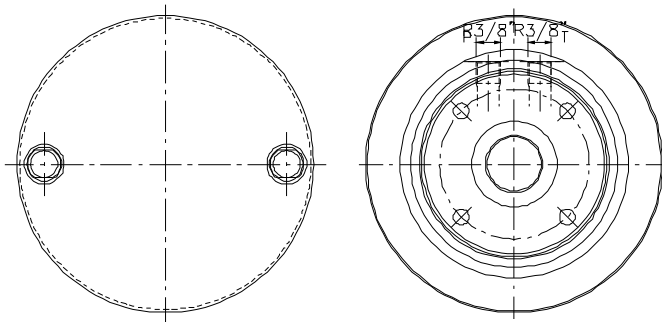
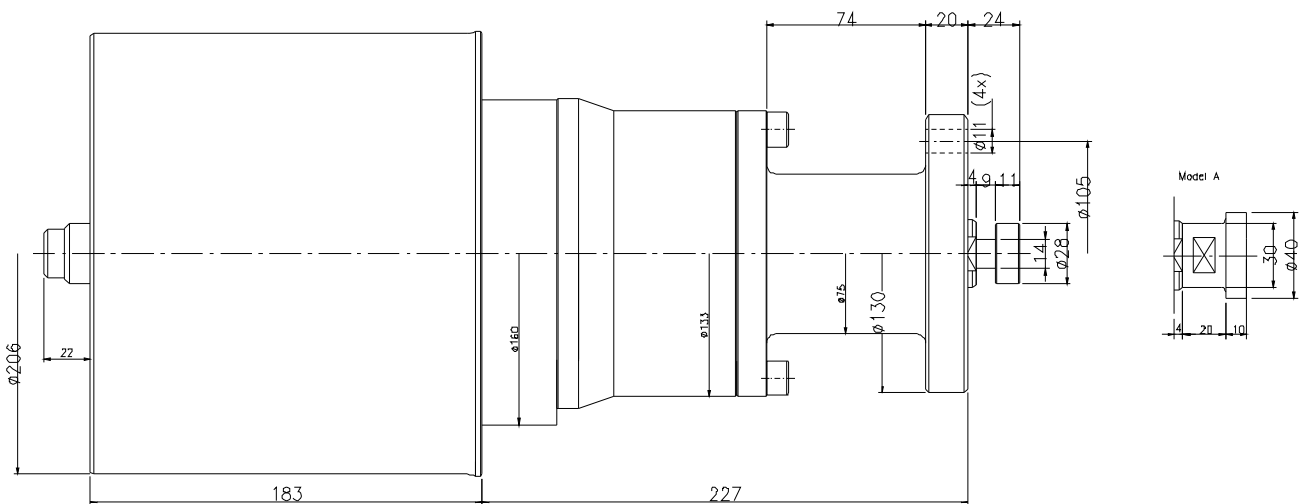
HYDRAULIC DOCTOR OSCILLATOR FOR WET END

S-571 Hydraulic doctor oscillator for wire- and press section

Long life span, reliable, no motor that wears down and no maintenance are some of the characteristics for S-571

The oscillator is mainly a stainless steel cylinder. The valve controlling the oscillating functions mounted in the cap, sealed from water by stainless steel casing.

S-571 is designed especially for oscillation of double and twin doctors.



DATA:

- Can be connected directly to an existing hydraulic system
- Speed: 3-15 strokes/min.
- Temperature: max 70°C
- Stroke length: as standard built with 16-20 mm adjustable stroke length but is available with other stroke lengths
- Material 316L (SS2343)
- Has strengthened rod end (max. load 140 bar = 96800 N).