

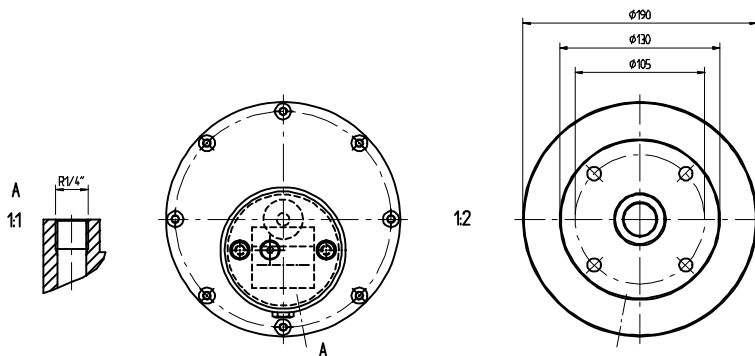
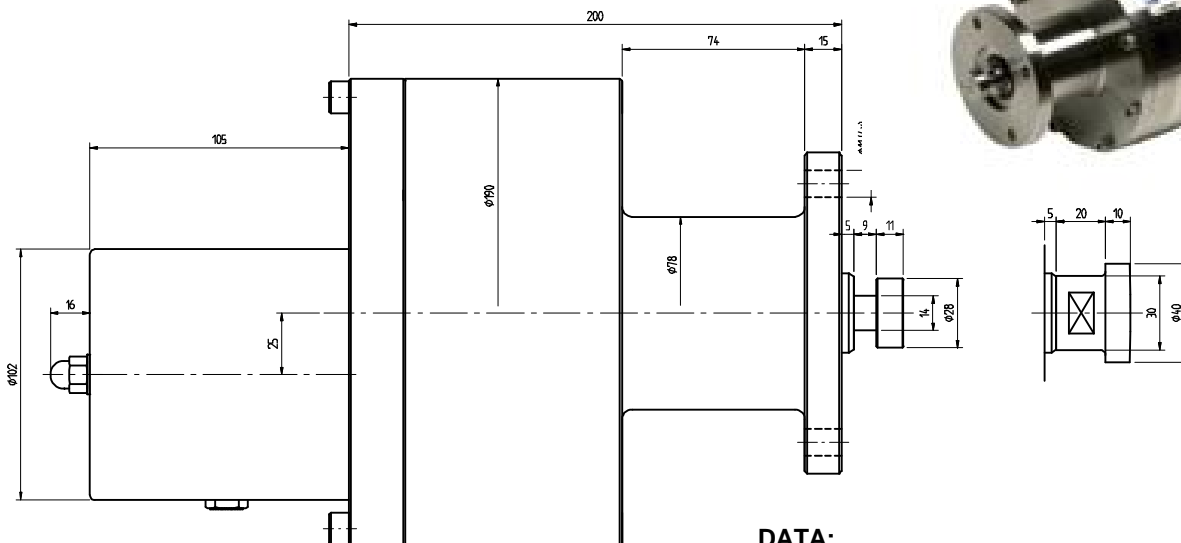
ARCOS S-520 / S-520A

PNEUMATIC DOCTOR OSCILLATOR FOR WET END

Long life span, high reliability, no engine that wears, no maintenance, are some of the characteristics for S-520.

The oscillator is mainly an **stainless steel cylinder (316L)**. The valve controlling the oscillating functions is mounted in the cap, sealed from water by a stainless steel casing. The oscillating speed is easily adjusted with a screw, situated under a plug in the casting .

- * S-520 is designed especially for oscillation of doctors in, for example, wire and press section.
- * S-520 is designed so that it can replace existing "Valmet-style" oscillators without any other fastening devices.
- * S-520 is standard built with 16-20mm adjustable stroke length but is available with other stroke lengths.
- * S-520 moves smoothly and has variable speed.
- * S-520 is connected with one hose to a compressed air system with **clean air**.



DATA:

- * Cylinder diameter 160mm.
- * Recommended pneumatic pressure 6 bar.
- * Pulling force at 6 bar 11000 N.
- * Speed 3-15 strokes/min.
- * Temperature max 150°C
- * Stroke length specified by order (16mm standard)
- * Air Clean air.
- * Weight 27 Kg.